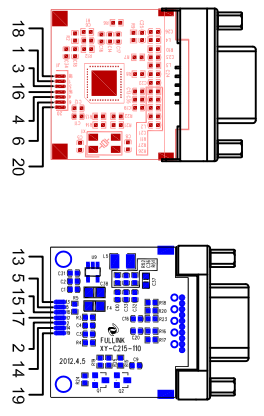
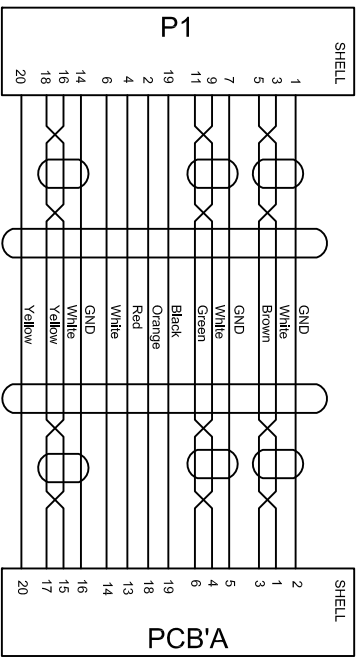
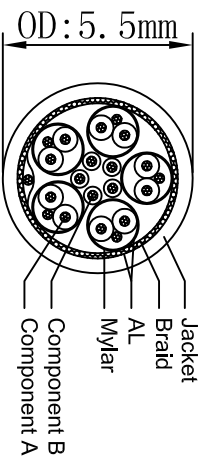
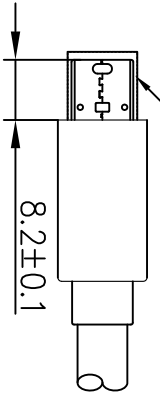
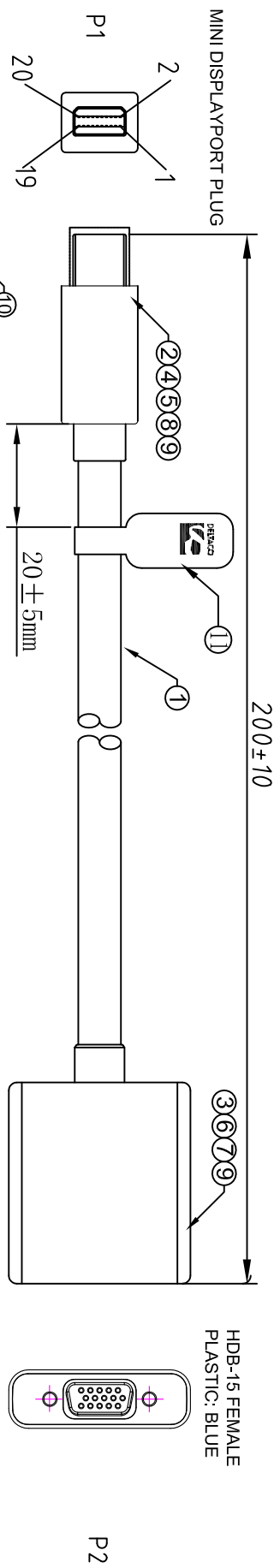


RoHS Compliant

REV	DESCRIPTION OF CHANGE	DATE
A0	INITIAL RELEASE	2012-10-10



AN PCB/A

- NOTES:
- ELECTRICAL PROPERTIES:
 - 100% open and short test.
 - Conductor resistance: 5 OHMS
 - Insulation resistance: 10 MEGOHMS
 - Hi pot: DC300V/0.01S
 - Audio & Video test, Output resolution: 1920*1080 P
 - All material be ROHS compliant.

11	tag	AM-BQ0146	White background, Black character (DP-VGA4)	1 Pcs
10	Dust cap	OR-0007	MINI DP Dust cap	1 Pcs
9	PVC	PVC-0002	60P White PVC	9.70g
8	PE	PE-0001	LDPE (RoHS)	1.60g
7	Shell	SL-WH0013	HDMI/VGA/DVI White Shell (smooth)	1 Pcs
6	Lid	SL-WH0018	VGA White Shell	1 Pcs
5	Lid	SL-WH0124	Mini DP White Shell	1 Pcs
4	Shell	SL-WH0070	Mini DP White Shell (smooth)	1 Pcs
3	Connector	BM-F-036-GF-AN	VGA (F) PCB (AAN), gold plated	1 Pcs
2	Connector	CN-G0001	Mini DP (M), gold plated	1 Pcs
1	Cable	DP0-55-3201	UI-20276 (32AWG*1P+D+AL/MV) *5C+32AWG*5C+MV /AL+HRA11D, JACKET PVC WHITE, OP=5.5±0.20mm L=170±5.0mm	1 Pcs

图号 (DWG NO)	XY-A0591	单位 (UNIT):	MM
版次 (REV):	A0	比例 (SCALE):	1:1
页次 (PAGE):	1/1	制图 (DESIGN)	Dean
审核 (CHECKED)		批准 (APPROVED)	
标题 (TITLE)	Mini DP to VGA Cable		
零件号 (PART NO)	DP-VGA4		



1 2 3 4 5 6 7